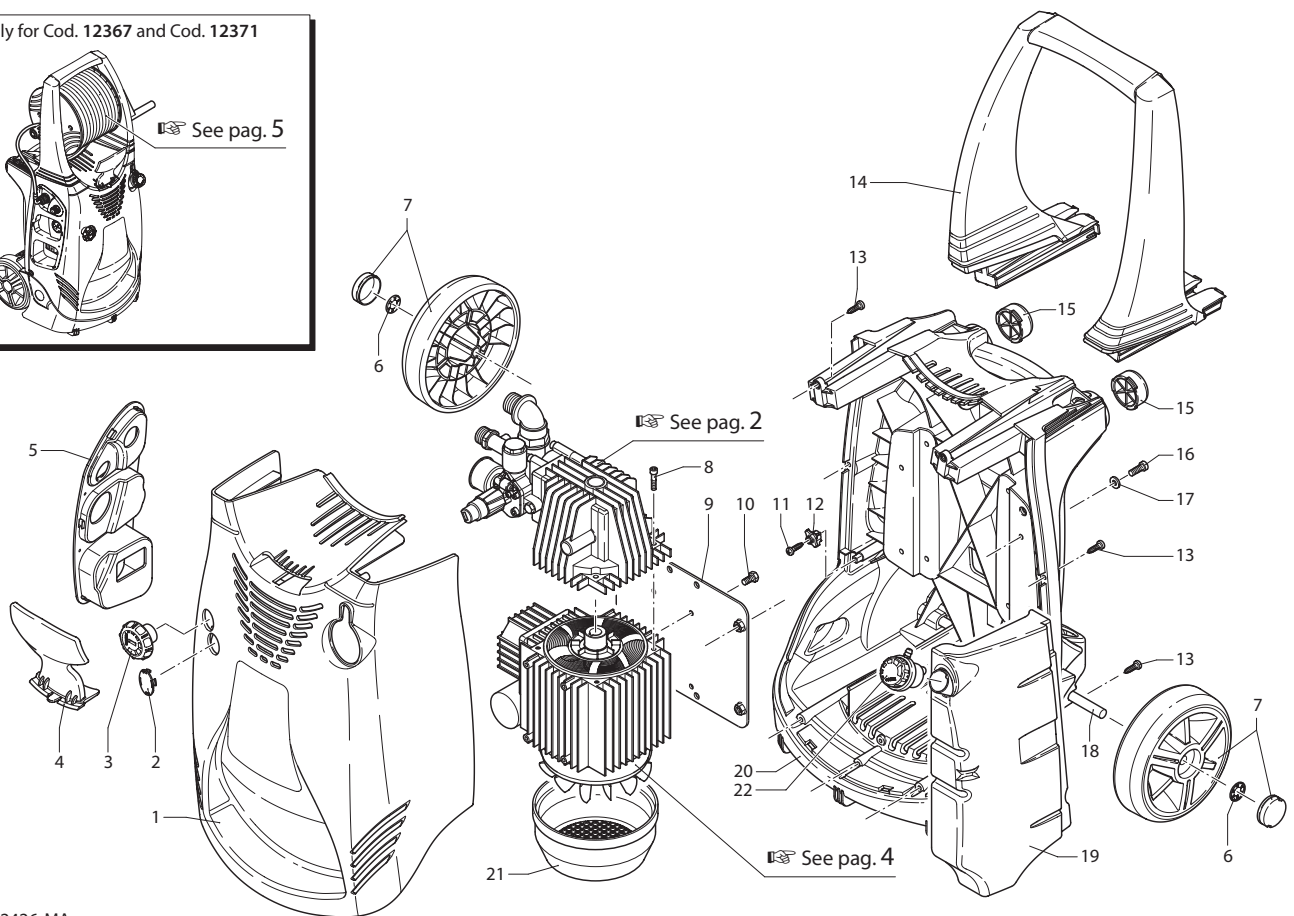
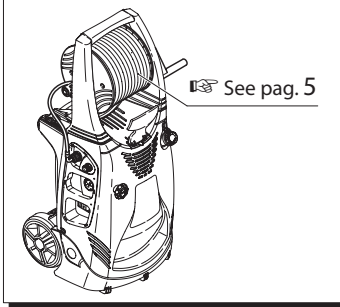


HW 131



Only for Cod. 12367 and Cod. 12371



UN002426-MA

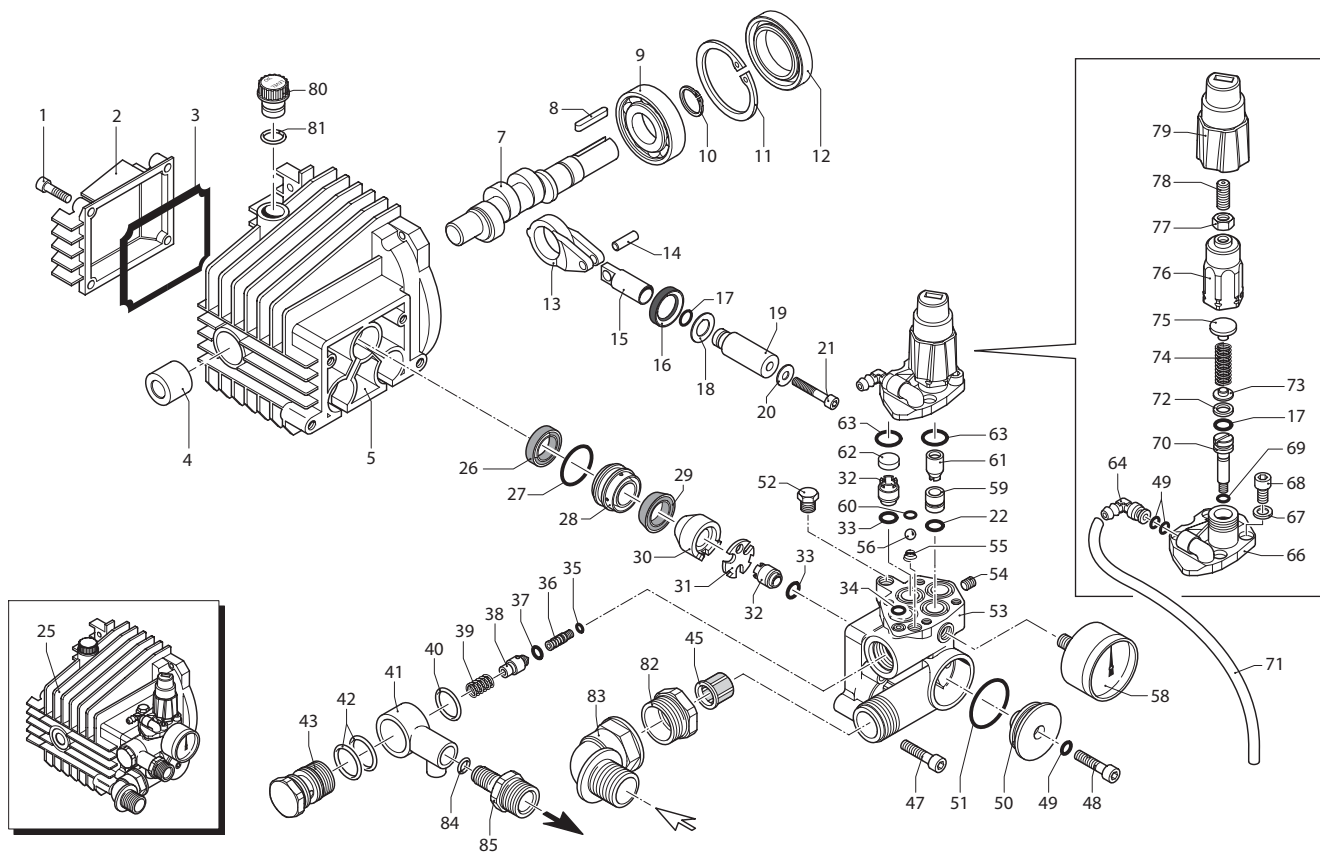
Pos.	Cod. Part n°	Denominazione	Description	Q.tà Q.ty	Note Vedi / See
1	2500046	Cofano verde	Green casing	1	
2	2500340	Tappo chiusura	Closing plug	1	
3	2500310	Pomello regolazione	Knob	1	
4	2500050	Gancio	Hook	1	
5	2500260	Vaschetta	Cover	1	▲●
	2500240	Vaschetta	Cover	1	□
6	1680880	Rondella	Washer	2	
7	2500320	Ruota ø 175 + tappo	Driven gear	2	
8	1260780	Vite TCEI M 5x25	Screw	4	
9	2500100	Piastra fissaggio	Fixing plate	1	
10	320350	Vite TE M 6x12	Screw	4	
11	2100300	Vite autof. 5x16	Screw	1	
12	2600100	Pressacavo	Gland	1	
13	2100300	Vite autof. 5x16	Screw	7	
14	2500020	Manico	Handle	1	
15	2500130	Gommino	Rubber feet	2	
16	880280	Vite TCEI M 6x18	Screw	4	
17	2180300	Rondella øi 6,2	Washer	4	
18	2500120	Assale ruote	Wheels axle	1	
19	2509001	Prem. serbatoio deterg.	Detergent tank assembly	1	
20	2500010	Corpo principale	Body	1	
21	1342040	Copriventola ad incastro	Fan cowling	1	▲●
	1271660	Copriventola ad incastro	Fan cowling	1	□
22	2500220	Tappo serbatoio completo	Compl. detergent plug	1	

SIMBOLOGIA - SYMBOLS

● Cod. 12367 - HW 131 RLW

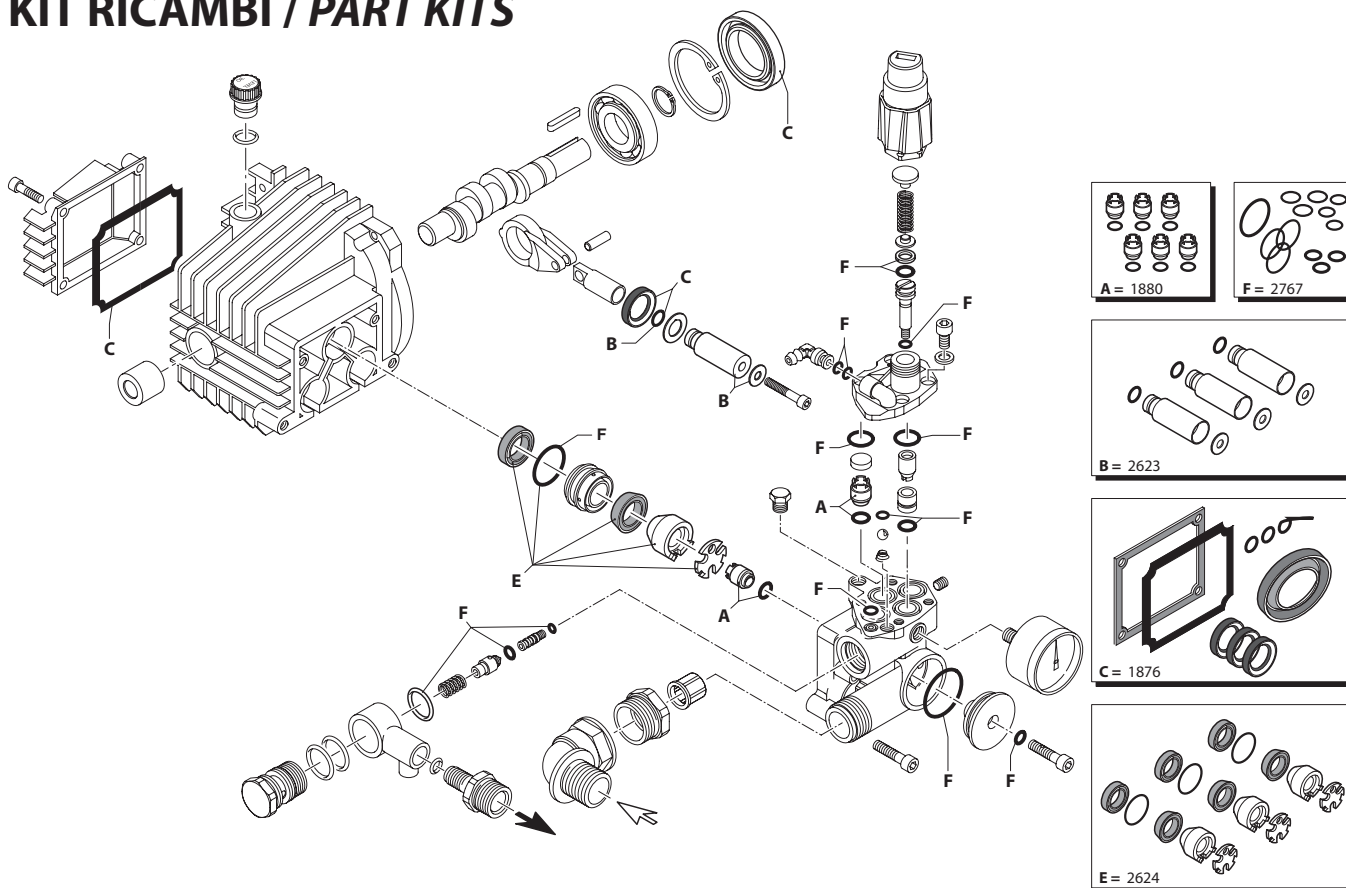
□ Cod. 12369 - HW 131

▲ Cod. 12371 - HW 131 RLW



UN002427-MA

KIT RICAMBI / PART KITS



UN002428-MA

Pos.	Cod. Part n°	Denominazione	Description	Q.tà Q.ty	Note Vedi / See
1	1260780	Vite TCEI M 5x25	Screw	4	
2	1344060	Coperchio posteriore	Rear cover	1	
3	1040710	OR ø 56x2	O-Ring	1	
4	1260050	Boccola a rullini	Roller bearing	1	
5	1344050	Corpo pompa	Pump housing	1	
7	1340170	Albero eccentrico	Crankshaft	1	
8	880111	Linguetta	Key	1	
9	1341070	Cuscinetto	Bearing	1	
10	480890	Seeger ø 17	Circlip	1	
11	111120	Seeger ø 47	Circlip	1	Ex 11120
12	1341080	Anello tenuta	Seal ring	1	
13	1340060	Biella	Con rod	3	
14	1340080	Spinotto	Piston pin	3	
15	1340070	Pistone di guida	Guiding piston	3	
16	1260460	Anello tenuta	Seal ring	3	
17	600180	OR ø 7,66x1,78	O-Ring	4	
18	1341010	Disco separatore	Spacer disc	3	
19	1342740	Pistone ø 15	Piston	3	
20	1341020	Rondella 6x10x1	Washer	3	Rame
21	850670	Vite TCEI M 6x35	Screw	3	Inox
22	600180	OR ø 7,66x1,78	O-Ring	1	
25	1349265	Prem. pompa	Pump assembly	1	
26	1260440	Guarnizione C1	C1 gasket	3	
27	770260	OR ø 23,52x1,78	O-Ring	3	
28	1342730	Guida pistone ø 15	Piston guide	3	
29	1342760	Guarnizione	Gasket	3	
30	1342720	Anello appoggio	Support ring	3	
31	1342750	Disco	Plate	3	
32	1349053	Valvola completa	Complete valve	6	
33	800560	OR ø 8,73x1,78	O-Ring	6	
34	390341	OR ø 5x2	O-Ring	1	
35	1343110	OR ø 4x1,1	O-Ring	1	
36	1342710	Ugello venturi	Nozzle	1	
37	1460430	OR ø 4x2,5	O-Ring	1	
38	1460260	Pistone	Piston	1	
39	1540140	Molla	Spring	1	
40	880270	OR ø 17,17x1,78	O-Ring	1	
41	1560090	Raccordo	Fitting	1	
42	770570	OR ø 18,77x1,78	O-Ring	2	
43	2500190	Tappo mandata	Outlet plug	1	
45	1340260	Filtro aspirazione acqua	Water suction filter	1	
47	881470	Vite TCEI M 6x45	Screw	4	
48	680700	Vite TCEI M 6x20	Screw	1	
49	480480	OR ø 4,48x1,78	O-Ring	3	

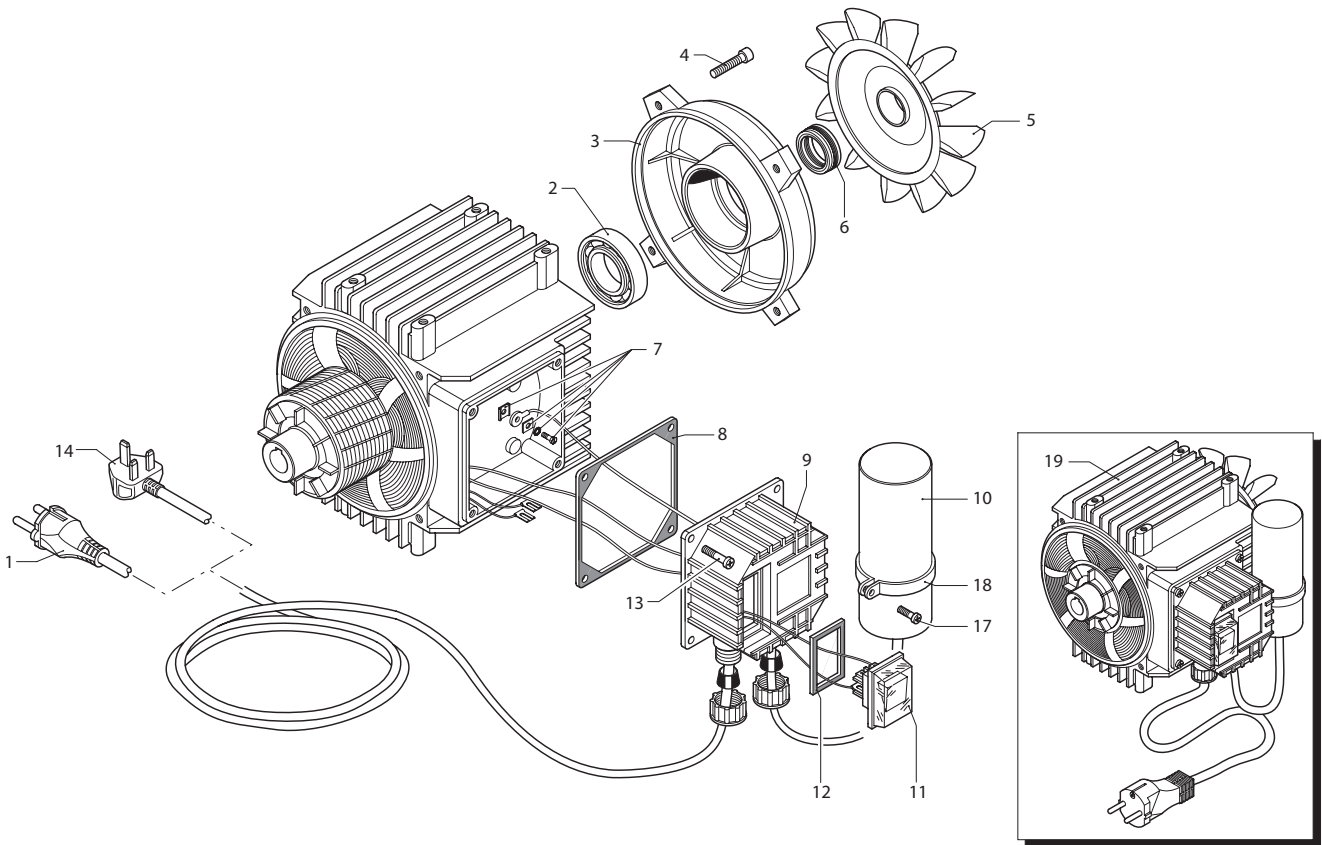
Pos.	Cod. Part n°	Denominazione	Description	Q.tà Q.ty	Note Vedi / See
50	1340190	Coperchio collettore asp.	Inlet fitting cover	1	
51	780050	OR ø 28,25x1,78	O-Ring	1	
52	620301	Tappo 1/8" G	Plug	1	
53	1342670	Testa pompa	Pump head	1	
54	851100	Grano M 5x5	Grub screw	1	
55	1250270	Molla valvola	Valve spring	1	
56	1250280	Sfera inox	Stainless steel ball	1	
58	3226	Manometro ø 40 mm	Pressure gauge	1	
59	1342700	Sede valvola regolazione	Regulation valve seat	1	
60	1460430	OR ø 4x2,5	O-Ring	1	
61	1460150	Pistone inferiore	Lower piston	1	
62	1343810	Pastiglia valvola	Valve seat	3	
63	740290	OR ø 14x1,78	O-Ring	4	
64	1260670	Raccordo detergente	Detergent fitting	1	
66	1342680	Coperchio testa	Head cover	1	
67	1381550	Rondella ø 6,4	Washer	4	
68	1343510	Vite TCEI M 6x14	Screw	4	
69	1080190	OR ø 2,90x1,78	O-Ring	1	
70	1460140	Pistone superiore	Upper piston	1	
71	2500330	Tubo detergente cristallo	Detergent hose	1	
72	1080401	Anello antiestrusione	Back-up ring	1	
73	1343450	Piattello molla	Spring plate	1	
74	1460190	Molla	Spring	1	Cataforesi
75	1343000	Piattello molla	Spring plate	1	
76	2500400	Inserto manopola	Knob insert	1	
77	1060120	Dado M 6	Nut	1	
78	2500480	Grano M 6x12	Grub screw	1	
79	2500210	Prolunga manopola	Knob extension	1	
80	1343900	Tappo olio	Oil plug	1	
81	880840	OR ø 9,25x1,78	O-Ring	1	
82	2180740	Raccordo	Fitting	1	
83	2500280	Prolunga aspirazione	Suction extension	1	
84	480560	OR ø 6,75x1,78	O-Ring	1	
85	2500200	Raccordo mandata	Outlet fitting	1	

KIT RICAMBI - PART KITS

A=KIT 1880 valvole valves		B=KIT 2623 pistoni pistons		C=KIT 1876 tenute olio oil seals		E=KIT 2624 tenute acqua water seals	
Pos.	Q.ty	Pos.	Q.ty	Pos.	Q.ty	Pos.	Q.ty
32	6	17	3	3	1	26	3
33	6	19	3	12	1	27	3
		20	3	16	3	29	3
				17	3	30	3
				24	1	31	3

F=KIT 2767 OR O-Rings							
Pos.	Q.ty	Pos.	Q.ty	Pos.	Q.ty	Pos.	Q.ty
17	1	40	1	72	1		
22	1	49	3				
27	3	51	1				
34	1	60	1				
35	1	63	4				
37	1	69	1				

SIMBOLOGIA - SYMBOLS



UN002429-MA

Pos.	Cod. Part n°	Denominazione	Description	Q.tà Q.ty	Note Vedi / See
1	1270950	Cavo	Cable	1	● □ ①
2	1340340	Cuscinetto	Bearing	1	
3	1340320	Scudo posteriore	Rear cover	1	
4	1260760	Vite TCEI M 5x20	Screw	4	Autoformante
5	1260300	Ventola	Fan	1	
6	1340350	Anello tenuta	Seal ring	1	
7	1269100	Mors. di terra completo	Earth clamp	1	
8	1340780	Guarnizione scatola interr.	Switch box gasket	1	
9	1340480	Scatola interruttore	Switch box	1	
10	1263520	Condensatore 40 µF	Capacitor 40 µF	1	
11	1341221	Interruttore 8A	Switch 8A	1	
12	1341140	Guarnizione	Gasket	1	
13	1261560	Vite autof. 3,9x16	Screw	4	
14	1271030	Cavo	Cable	1	▲ ②
17	1260810	Vite TCTC M 4x10	Screw	1	
18	1340280	Fascetta	Clamp	1	
19	4919	Motore elettrico	Electric motor	1	□ ● ①
	44096	Motore elettrico	Electric motor	1	▲ ②

Pos.	Cod. Part n°	Denominazione	Description	Q.tà Q.ty	Note Vedi / See

SIMBOLOGIA - SYMBOLS

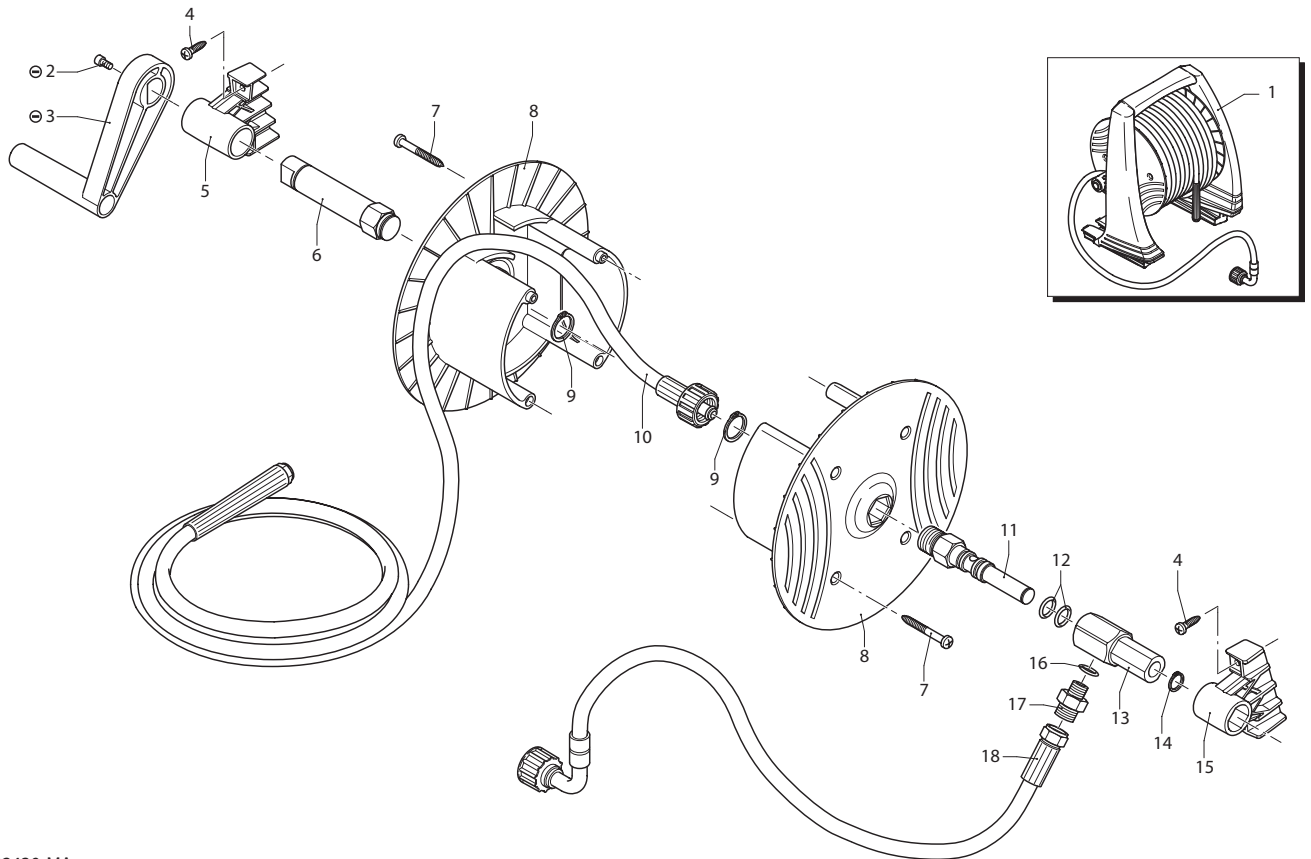
● Cod. 12367 - HW 131 RLW

□ Cod. 12369 - HW 131

▲ Cod. 12371 - HW 131 RLW

① 230 V/50Hz - Schuko

② 230 V/50Hz - UK



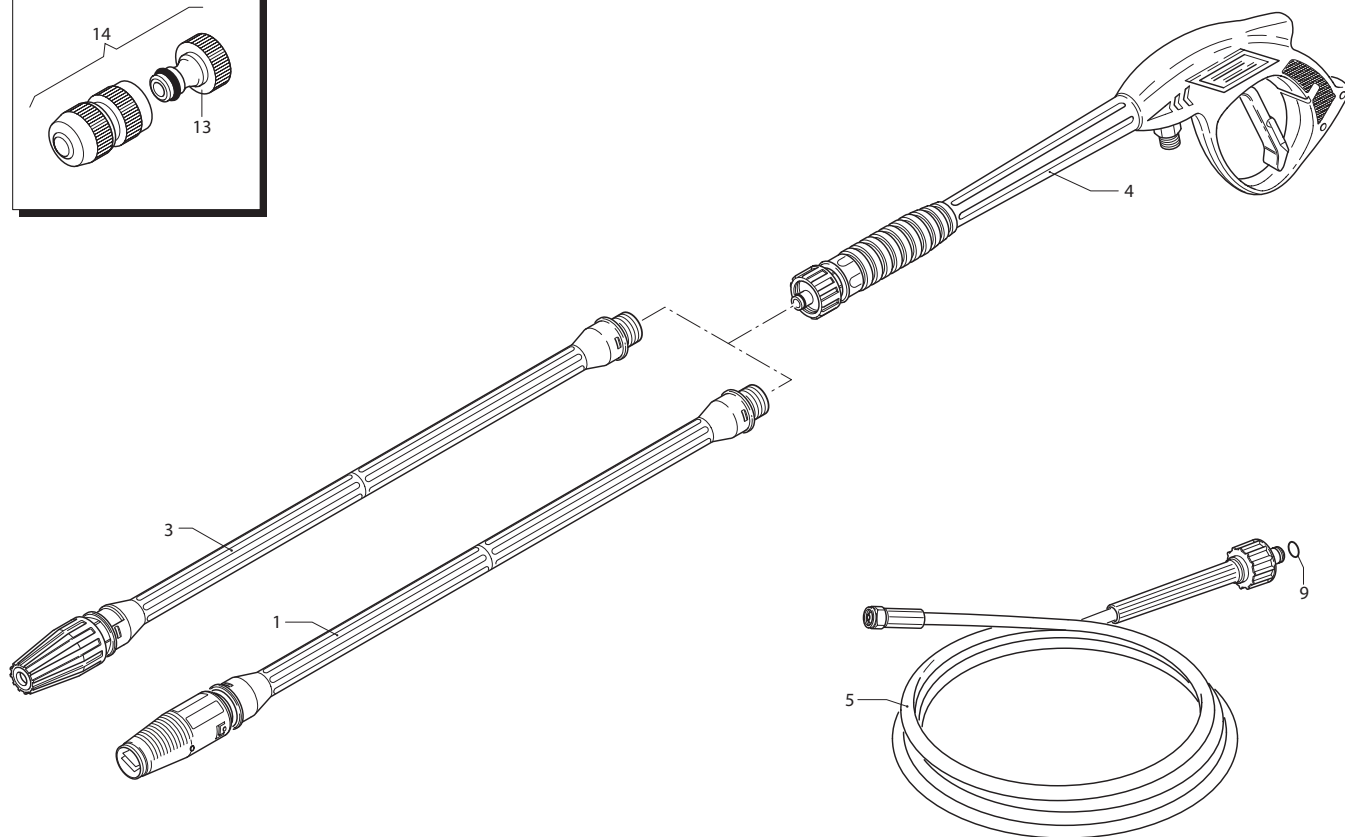
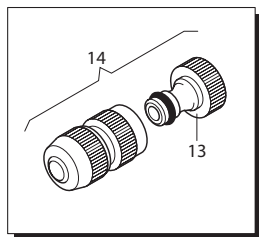
UN002430-MA

Pos.	Cod. Part n°	Denominazione	Description	Q.tà Q.ty	Note Vedi / See
1	2509003	Prem. avvolgitubo	Hose reel assembly	1	
2	2360360	Vite TCEI M5x10	Screw	1	
3	2360150	Leva avvolgitubo	Hose reel lever	1	
4	2100300	Vite autof. 5x16	Screw	4	
5	2500060	Staffa dx	Sx bracket	1	
6	2500360	Perno sx	Sx pin	1	
7	1681280	Vite autof. 4,2x50	Screw	4	
8	2360230	Avvolgitubo	Hose reel	2	
9	380420	Seeger ø 22	Circlip	2	
10	2360250	Tubo di mandata	High pressure hose	1	15 m
11	2360210	Perno dx	Dx pin	1	
12	390080	OR ø 11,91x2,62	O-Ring	2	
13	2360220	Raccordo	Fitting	1	
14	2360320	Seeger ø 14	Circlip	1	
15	2500070	Staffa sx	Dx bracket	1	
16	820510	OR ø 10,82x1,78	O-Ring	1	
17	2360310	Nipples 1/4"-3/4"G (M)	Threaded adapter	1	
18	2360250	Tubo	Hose	1	

Pos.	Cod. Part n°	Denominazione	Description	Q.tà Q.ty	Note Vedi / See

SIMBOLOGIA - SYMBOLS

⊖ Non compreso nel premontaggio motore
No part of pre-assembly electric motor



UN002431-MA

Pos.	Cod. Part n°	Denominazione	Description	Q.tà Q.ty	Note Vedi / See
1	40030	Testina+lancia	Head+lance	1	● ▲
	40412	Testina+lancia	Head+lance	1	□
2	40169	Rotopower	Rotopower	1	
4	40171	Pistola	Gun	1	
5	1271350	Tubo di mandata	High pressure hose	1	□ 9,5 m
9	2000770	OR ø 10x2	O-Ring	1	
13	1461470	Raccordo	Fitting	1	
14	3212	Innesto raccordo+guarn.	Attachment for tap+gasket	1	3/4" G(F)

Pos.	Cod. Part n°	Denominazione	Description	Q.tà Q.ty	Note Vedi / See

SIMBOLOGIA - SYMBOLS

- Cod. 12367 - HW 131 RLW
- Cod. 12369 - HW 131
- ▲ Cod. 12371 - HW 131 RLW

HW 131 Makita for **cod.12367 -12369 (Russia)** **Cod.12371 (UK)**

Part n Description Price

3212 Attachment for tap+gasket
3226 Pressure gauge
4919 Electric motor
40030 Head+lance
40169 Rotopower
40171 Gun
40412 Head+lance
44096 Electric motor
111120 Circlip
320350 Screw
380420 Circlip
390080 O-Ring
390341 O-Ring
480480 O-Ring
480560 O-Ring
480890 Circlip
600180 O-Ring
620301 Plug
680700 Screw
740290 O-Ring
770260 O-Ring
770570 O-Ring
780050 O-Ring
800560 O-Ring
820510 O-Ring
850670 Screw
851100 Grub screw
880111 Key
880270 O-Ring
880280 Screw
880840 O-Ring
881470 Screw
1040710 O-Ring
1060120 Nut
1080190 O-Ring
1080401 Back-up ring
1250270 Valve spring
1250280 Stainelss steel ball
1260050 Roller bearing
1260300 Fan
1260440 C1 gasket
1260460 Seal ring
1260670 Detergent fitting
1260760 Screw
1260780 Screw
1260780 Screw
1260810 Screw
1261560 Screw
1263520 Capacitor 40 μ F
1269100 Earth clamp
1270950 Cable
1271030 Cable
1271350 High pressure hose
1271660 Fan cowling
1340060 Con rod
1340070 Guiding piston
1340080 Piston pin
1340170 Crankshaft
1340190 Inlet fitting cover
1340260 Water suction filter
1340280 Clamp
1340320 Rear cover
1340340 Bearing
1340350 Seal ring
1340480 Switch box

1340780 Switch box gasket
1341010 Spacer disc
1341020 Washer
1341070 Bearing
1341080 Seal ring
1341140 Gasket
1341221 Switch 8A
1342040 Fan cowling
1342670 Pump head
1342680 Head cover
1342700 Regulation valve seat
1342710 Nozzle
1342720 Support ring
1342730 Piston guide
1342740 Piston
1342750 Plate
1342760 Gasket
1343000 Spring plate
1343110 O-Ring
1343450 Spring plate
1343510 Screw
1343810 Valve seat
1343900 Oil plug
1344050 Pump housing
1344060 Rear cover
1349053 Complete valve
1349265 Pump assembly
1381550 Washer
1460140 Upper piston
1460150 Lower piston
1460190 Spring
1460260 Piston
1460430 O-Ring
1461470 Attachment for tap+gasket
1540140 Spring
1560090 Fitting
1680880 Washer
1681280 Screw
2000770 O-Ring
2100300 Screw
2180300 Washer
2180740 Fitting
2360150 Hose reel lever
2360210 Dx pin
2360220 Fitting
2360230 Hose reel
2360250 High pressure hose
2360250 Hose
2360310 Threaded adapter
2360320 Circlip
2360360 Screw
2500010 Body
2500020 Handle
2500046 Green casing
2500050 Hook
2500060 Sx bracket
2500070 Dx bracket
2500100 Fixing plate
2500120 Wheels axle
2500130 Rubber feet
2500190 Outlet plug
2500200 Outlet fitting
2500210 Knob extension
2500220 Compl. detergent plug
2500240 Cover
2500260 Cover
2500280 Suction extension

2500310 Knob
2500320 Driven gear
2500330 Detergent hose
2500340 Closing plug
2500360 Sx pin
2500400 Knob insert
2500480 Grub screw
2509001 Detergent tank assembly
2509003 Hose reel assembly
2600100 Gland
 3226 Pressure gauge
 4919 Electric motor
 40030 Head+lance
 40169 Rotopower
 40171 Gun
 40412 Head+lance
 44096 Electric motor
111120 Circlip
320350 Screw
380420 Circlip
390080 O-Ring
390341 O-Ring
480480 O-Ring
480560 O-Ring
480890 Circlip
600180 O-Ring
620301 Plug
680700 Screw
740290 O-Ring
770260 O-Ring
770570 O-Ring
780050 O-Ring
800560 O-Ring
820510 O-Ring
850670 Screw
851100 Grub screw
880111 Key
880270 O-Ring
880280 Screw
880840 O-Ring
881470 Screw
1040710 O-Ring
1060120 Nut
1080190 O-Ring
1080401 Back-up ring
1250270 Valve spring
1250280 Stainelss steel ball
1260050 Roller bearing
1260300 Fan
1260440 C1 gasket
1260460 Seal ring
1260670 Detergent fitting
1260760 Screw
1260780 Screw
1260780 Screw
1260810 Screw
1261560 Screw
1263520 Capacitor 40 μ F
1269100 Earth clamp
1270950 Cable
1271030 Cable
1271350 High pressure hose
1271660 Fan cowling
1340060 Con rod
1340070 Guiding piston
1340080 Piston pin
1340170 Crankshaft

1340190 Inlet fitting cover
1340260 Water suction filter
1340280 Clamp
1340320 Rear cover
1340340 Bearing
1340350 Seal ring
1340480 Switch box
1340780 Switch box gasket
1341010 Spacer disc
1341020 Washer
1341070 Bearing
1341080 Seal ring
1341140 Gasket
1341221 Switch 8A
1342040 Fan cowling
1342670 Pump head
1342680 Head cover
1342700 Regulation valve seat
1342710 Nozzle
1342720 Support ring
1342730 Piston guide
1342740 Piston
1342750 Plate
1342760 Gasket
1343000 Spring plate
1343110 O-Ring
1343450 Spring plate
1343510 Screw
1343810 Valve seat
1343900 Oil plug
1344050 Pump housing
1344060 Rear cover
1349053 Complete valve
1349265 Pump assembly
1381550 Washer
1460140 Upper piston
1460150 Lower piston
1460190 Spring
1460260 Piston
1460430 O-Ring
1461470 Fitting
1540140 Spring
1560090 Fitting
1680880 Washer
1681280 Screw
2000770 O-Ring
2100300 Screw