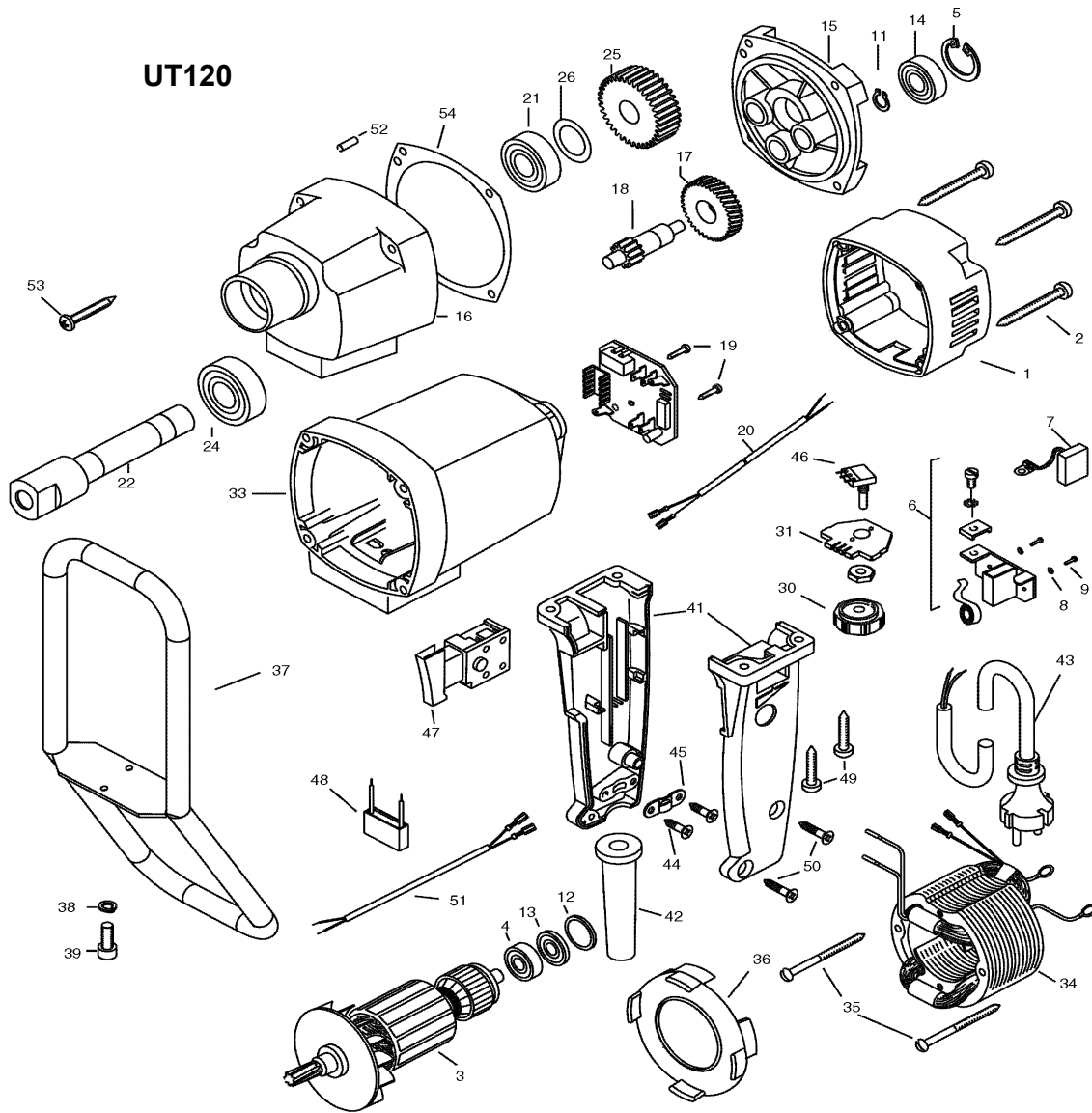


UT120



Pos.	Item No.	Description
1	EE 7132A240	MOTOR HOUSING COVER
2	EE 80201267	PAN HEAD SCREW 4,8x45
3	EE 77316100	ARMATURE ASS'Y
4	210024-0	BALL BEARING 608 2RS
5	EE 80201333	RETAINING RING 28
6	EE 80201196	BRUSH HOLDER CPL.
7	EE 80700013	BRUSH
8	EE 80201385	WAVE WASHER
9	EE 80201180	SCREW M4x12
11	EE 80201305	RETAINING RING 10
12	EE 83000036	O-RING 22x2,5
13	EE 80701005	MAGNET SLEEVE
14	211142-7	BALL BEARING 6001LLB
15	EE 77318610	CRANK HOUSING COVER
16	EE 77318400	GEAR HOUSING COMPLETE
17	EE 74010470	HELICAL GEAR
18	EE 7731C490	SHAFT
19	EE 80201252	CONNECTING CORD A
20	EE 77314187	CONNECTING CORD A
21	211251-2	BALL BEARING 6003LLB
22	EE 7731C420	SPINDLE
24	211256-2	BALL BEARING 6203LLB
25	EE 7731C430	HELICAL GEAR
26	EE 80200507	WASHER 17
30	EE 7132B230	HANDLE
31	EE 7132B275	COVER PLATE
32	EE 80601132	CONTROLLER
33	EE 80900158	MOTOR HOUSING
34	EE 77316150	FIELD ASS'Y
35	EE 80201266	PAN HEAD SCREW 3,9x60
36	EE 7132A140	BAFFLE PLATE
37	EE 77318590	SIDE HANDLE ASS'Y
38	EE 80201303	SPRING WASHER 6
39	EE 80201209	OVAL HEAD SCREW M6x12
41	EE 80900101	HANDLE COVER CPL.
42	EE 71323255	CORD GUARD
43	P-26185	POWER SUPPLY CORD
44	EE 80201270	PAN HEAD SCREW 4,2x13
45	EE 71540330	STRAIN RELIEF
46	EE 80500020	POTENTIOMETER
47	EE 80600125	SWITCH
48	EE 80500010	CONDENSER
49	EE 80201280	PAN HEAD SCREW 4,8x22
50	EE 80201271	PAN HEAD SCREW 4,2x16
51	EE 77316186	CONNECTING CORD B
52	EE 80200582	PIN 4
53	EE 80201284	PAN HEAD SCREW 4,8x55
54	EE 77324620	GASKET