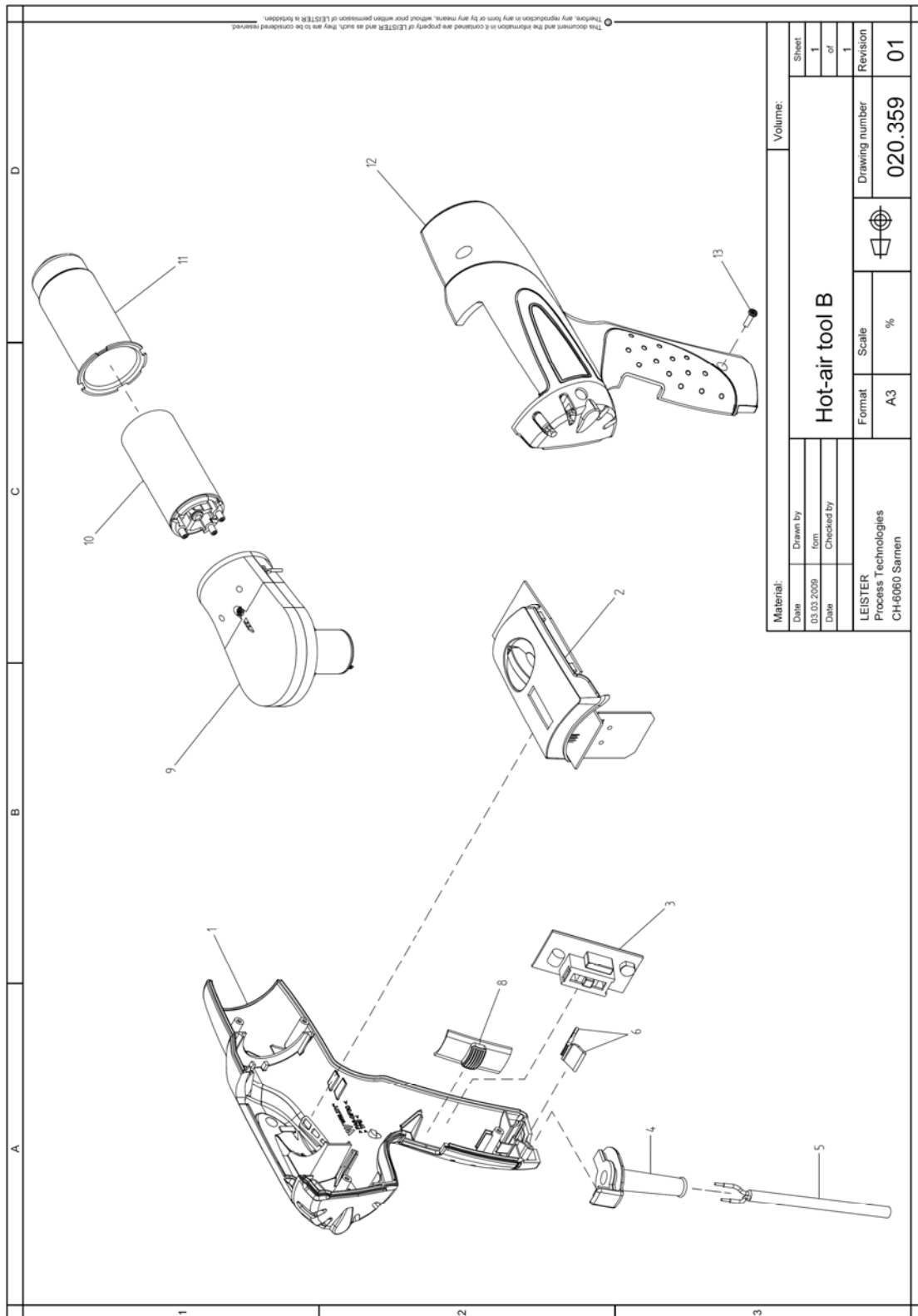


QM	
Page	30 / 31
Created	09.07.2009 BFU
Released	14.08.2009 PRI
Modified	

13.2 Exploded drawing Tool B



- 1 HG139079 Housing left part
- 2 HG119578 Main board complete
- 3 HG130429 Switch board
- 4 HG130419 Cord guard
- 5 HG130432 Power supply cord
- 6 HG130421 Strain relief
- 8 HG130415 Actuator printed 2-step
- 9 HG119256 Blower unit 110°C
- 10 HG131215 Heating element 230V/1800W
- 11 HG130420 Heater tube
- 12 HG139080 Housing right part
- 13 HG130417 Tamper resistant PT-screw
- HG130442 Plastic case