

UN002420-MA

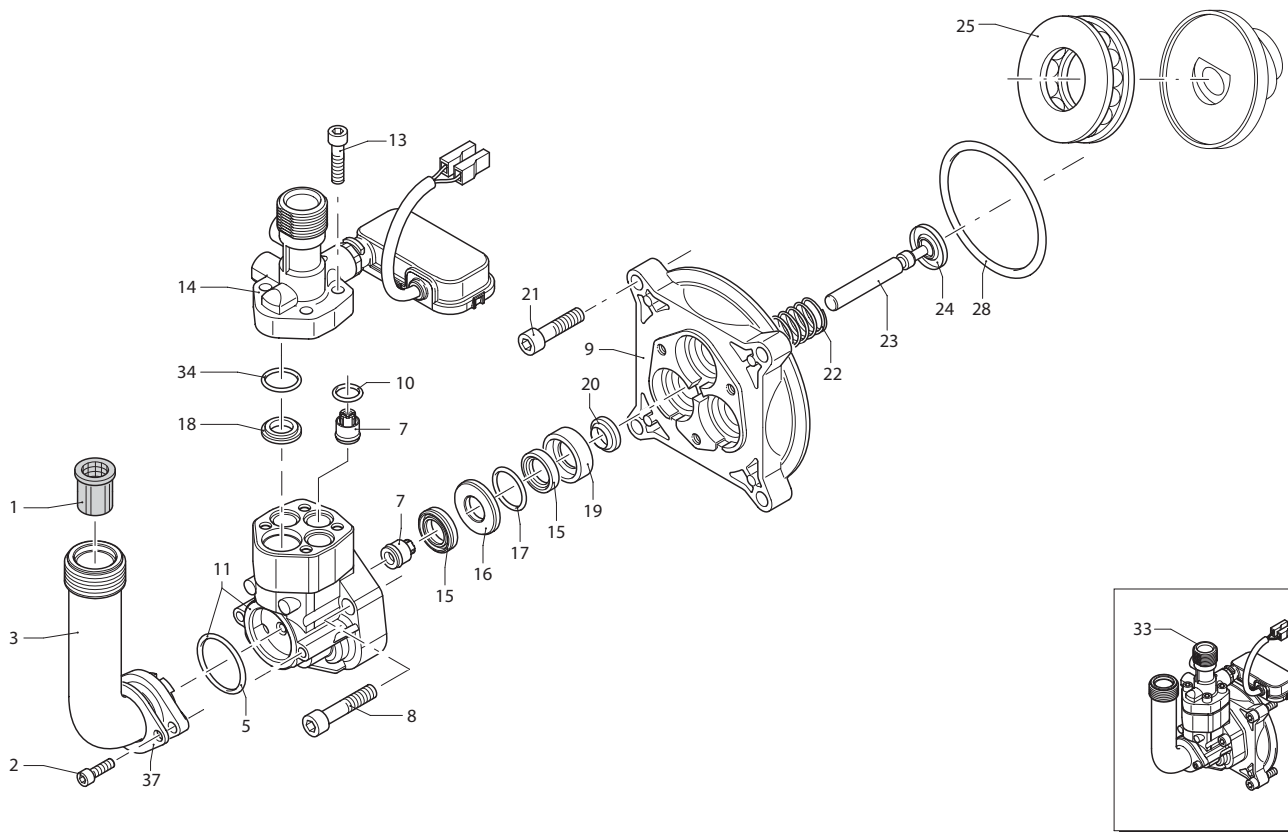
Pos.	Cod. Part n°	Denominazione	Description	Q.tà Q.ty	Note Vedi / See
1	2860087	Cofano verde	Green casing	1	
2	2440530	Manico	Handle	1	● □
	2860050	Manico	Handle	1	▲
3	2440070	Ruota ø 160	Driven gear	2	
4	2100300	Vite autof. 5x16	Screw	12	
5	2860030	Carter sinistro	Left casing	1	
6	1680190	Copriventola	Fan housing	1	
7	1261570	Vite autof. 3,9x9,5	Screw	3	
8	2860060	Staffa	Bracket	1	
9	2440270	Vite TC M 4x20	Screw	4	Autoformante
10	2860020	Carter destro	Right casing	1	

SIMBOLOGIA - SYMBOLS

● Cod. 12366 - HW 130 TSS RLW

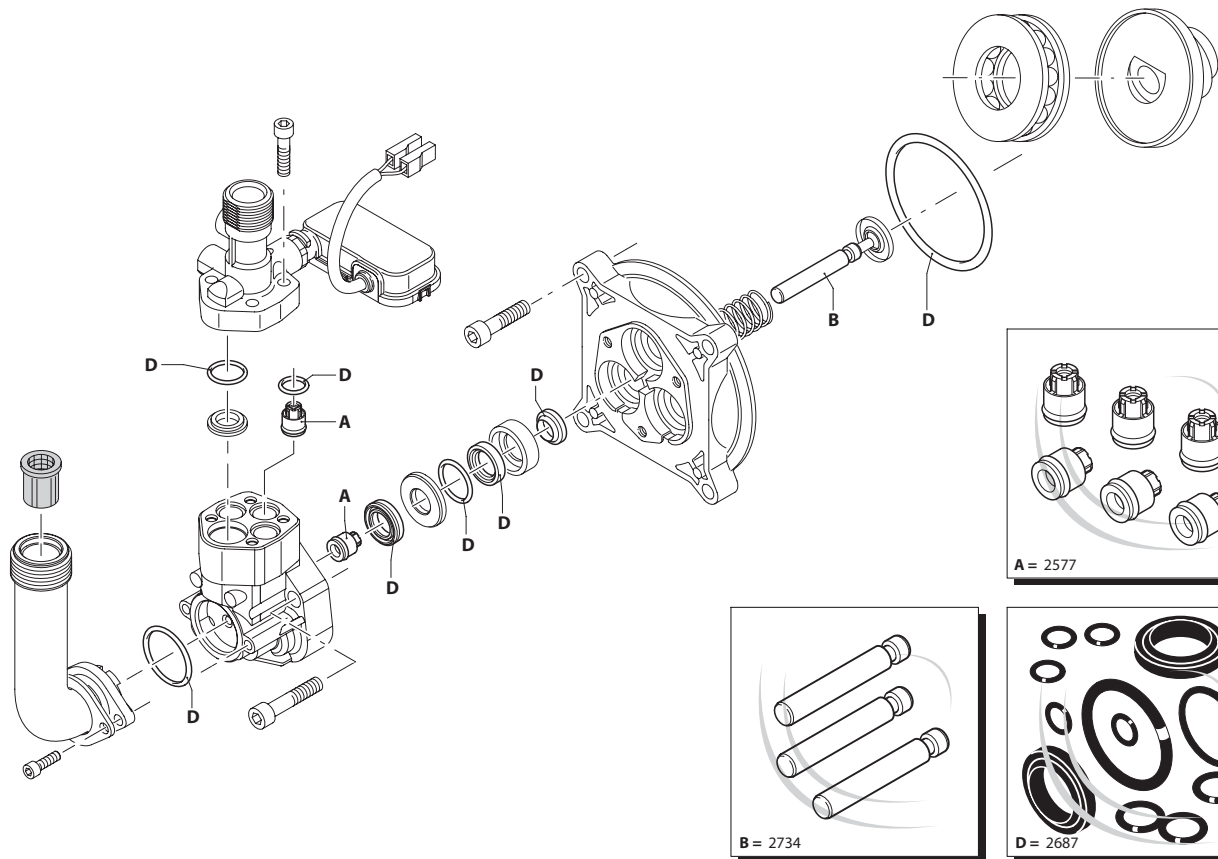
□ Cod. 12368 - HW 130 TSS

▲ Cod. 12370 - HW 130 TSS RLW



UN002421-MA

KIT RICAMBI / PART KITS



UN002422-MA

Pos.	Cod. Part n°	Denominazione	Description	Q.tà Q.ty	Note Vedi / See
1	1340260	Filtro aspirazione acqua	Water suction filter	1	
2	2101000	Vite TCEI M 4x15	Screw	2	Autoformante
3	2100630	Raccordo aspirazione	Suction fitting	1	
5	550350	OR ø 23,81x2,62	O-Ring	1	
7	2109051	Valvola completa	Complete valve	6	
8	850850	Vite TCEI M 6x30	Screw	3	
9	2020120	Guida pistone ø 12	Piston guide	1	
10	880840	OR ø 9,25x1,78	O-Ring	3	
11	2123	Testa pompa + OR	Pump head + O-Ring	1	
13	1260760	Vite TCEI M 5x20	Screw	4	Autoformante
14	2250	Kit racc. mandata + TSS	Outlet fitting + TSS kit	1	
15	2200140	Guarnizione ø 12x20	Gasket	6	
16	2020040	Anello appoggio guarn.	Gasket support ring	3	
17	2021740	OR ø 21,5x2	O-Ring	3	
18	2560480	Boccola tenuta	Bushing	1	
19	2020030	Boccola ø 12	Bushing	3	
20	1683500	Anello tenuta	Seal ring	3	
21	2200210	Vite TCEI M 6x25	Screw	4	Autoformante
22	2020150	Molla	Spring	3	
23	2020130	Pistone ø 12	Piston	3	
24	2020140	Piattello portamolla	Spring plate	3	
25	2021570	Cuscinetto	Bearing	1	
28	1680680	OR ø 95x2	O-Ring	1	
33	2223	Kit prem. pompa + TSS	Pump assembly + TSS kit	1	
34	394280	OR ø 12,42x1,78	O-Ring	1	
37	2101450	Flangia fissaggio racc.	Inlet fitting plate	1	

Pos.	Cod. Part n°	Denominazione	Description	Q.tà Q.ty	Note Vedi / See

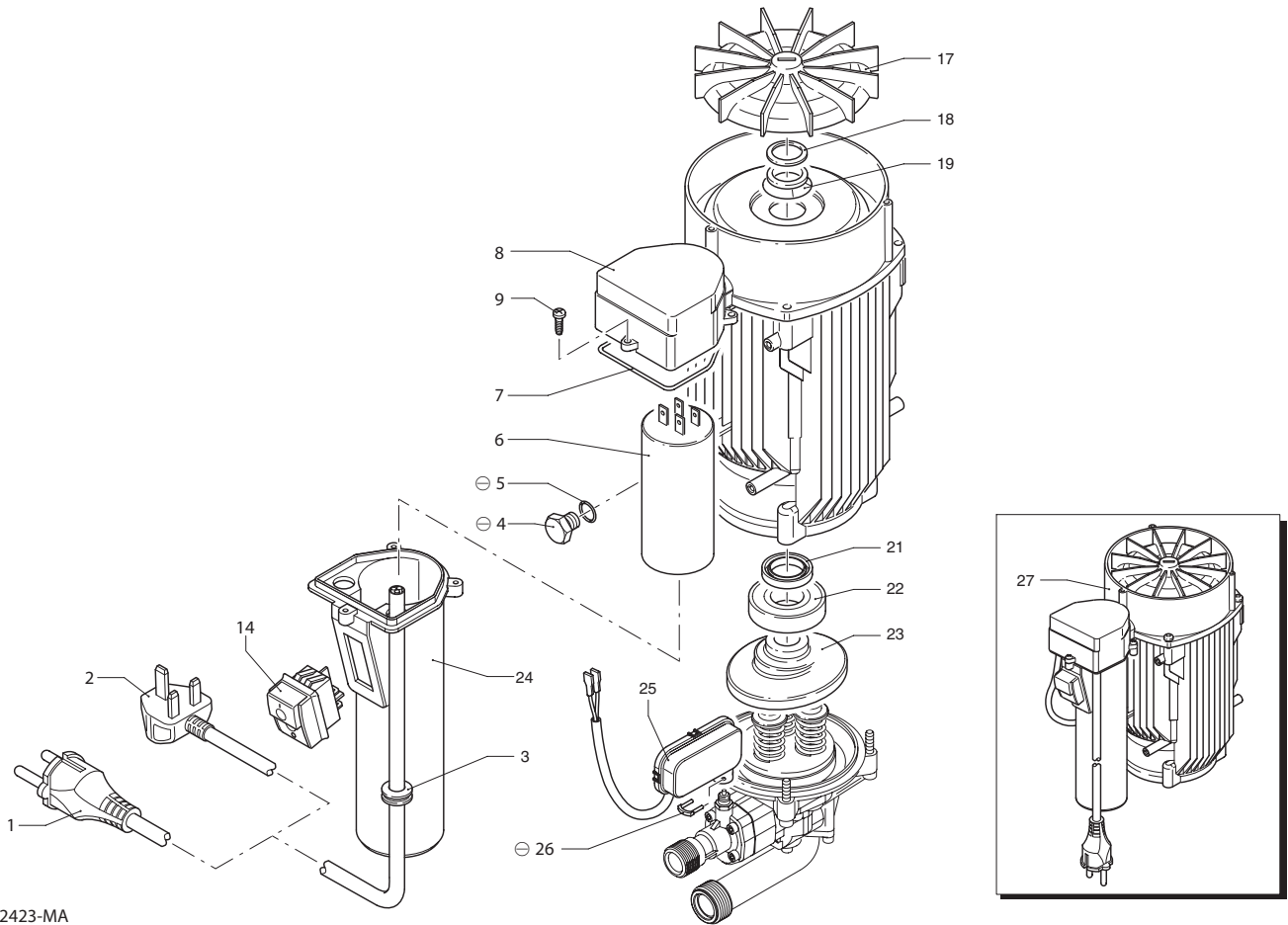
KIT RICAMBI - PART KITS

A=KIT 2577 valvole valves		B=KIT 2734 pistoni pistons		D=KIT 2687 tenute gaskets			
Pos.	Q.ty	Pos.	Q.ty	Pos.	Q.ty	Pos.	Q.ty
7	6	23	3	5	1	34	1
				10	3		
				15	6		
				17	3		
				20	3		
				28	1		

Pos.	Q.ty	Pos.	Q.ty	Pos.	Q.ty	Pos.	Q.ty

SIMBOLOGIA - SYMBOLS

--	--	--	--	--	--	--	--



UN002423-MA

Pos.	Cod. Part n°	Denominazione	Description	Q.tà Q.ty	Note Vedi / See
1	1343400	Cavo	Cable	1	● ▲ ①
2	1682040	Cavo	Cable	1	□ ②
3	2021480	Passacavo	Gland	1	
4	1682420	Tappo olio	Oil dip stick	1	
5	2000240	OR ø 5,23x2,62	O-Ring	1	
6	1680670	Condensatore 30 µF	Capacitor 30 µF	1	
7	850840	OR ø 62x2	O-Ring	1	
8	1680035	Scudo motore	Motor shield	1	
9	1261551	Vite autof. 3,5x13	Screw	3	
14	2320280	Interruttore	Switch	1	
17	1680250	Ventola	Fan	1	
18	2020850	Rondella	Washer	1	
19	1340350	Anello tenuta	Seal ring	1	
21	840020	Anello tenuta	Seal ring	1	
22	1461430	Cuscinetto	Bearing	1	
23	1683000	Piattello oscillante	Wobble plate	1	
24	2440221	Scatola condensatore	Capacitor box	1	
25	2029721	Prem. TSS	TSS assembly	1	
26	2021960	Forcella	Clip	1	
27	4827	Motore elettrico	Electric motor	1	● □ ①
	44095	Motore elettrico	Electric motor	1	▲ ②

Pos.	Cod. Part n°	Denominazione	Description	Q.tà Q.ty	Note Vedi / See

SIMBOLOGIA - SYMBOLS

● Cod. 12366 - HW 130 TSS RLW

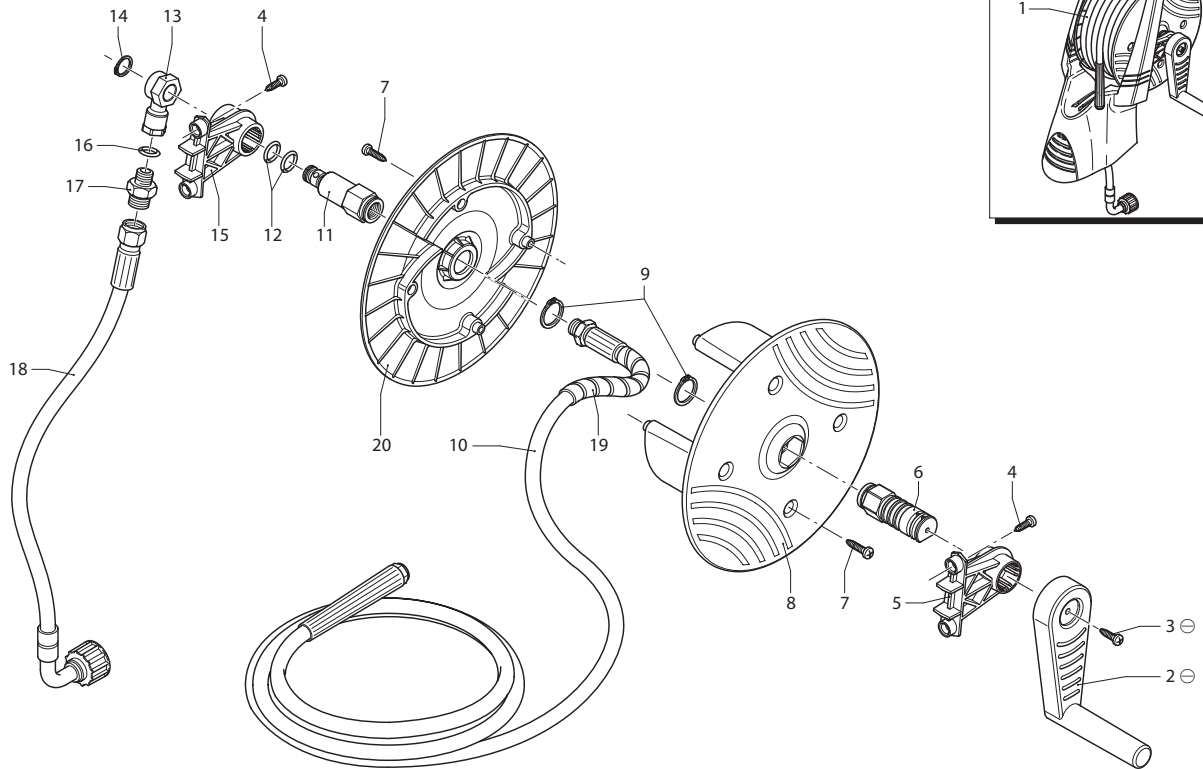
□ Cod. 12368 - HW 130 TSS

▲ Cod. 12370 - HW 130 TSS RLW

① 230 V/50Hz - Schuko

② 230 V/50Hz - UK

⊖ Non compreso nel premontaggio motore
No part of pre-assembly electric motor



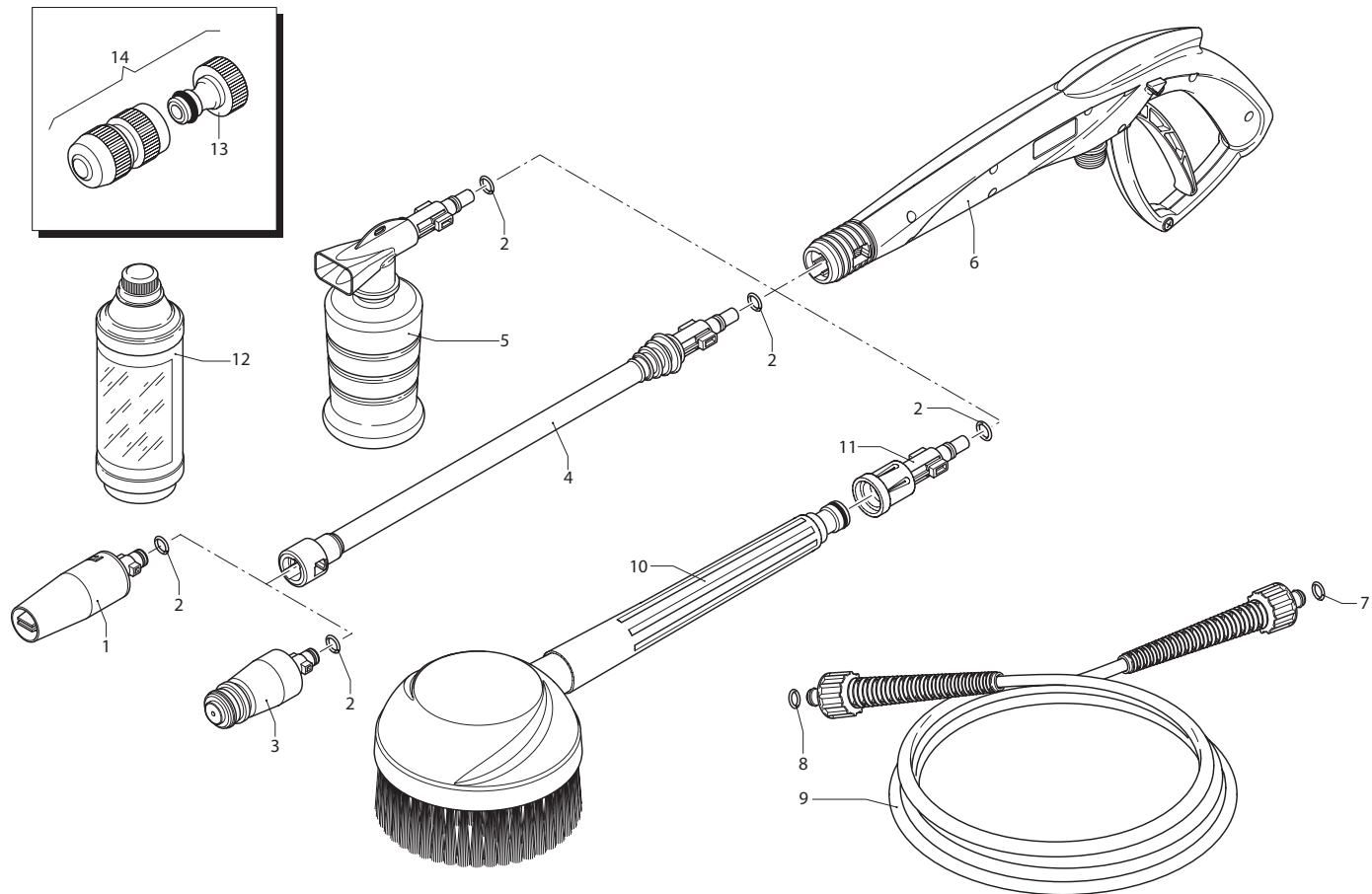
UN002424-MA

Pos.	Cod. Part n°	Denominazione	Description	Q.tà Q.ty	Note Vedi / See
1	40380	Prem. avvolgitubo	Hose reel assembly	1	
2	2100300	Vite autof. 5x16	Screw	1	
3	2360150	Leva avvolgitubo	Hose reel lever	1	
4	2100300	Vite autof. 5x16	Screw	4	
5	2440490	Staffa dx	Sx bracket	1	
6	2440500	Perno dx	Sx pin	1	
7	2560720	Vite autof. 5x20	Screw	4	
8	2360230	Avvolgitubo	Hose reel	1	
9	380420	Seeger øe 22	Circlip	2	
10	2620550	Tubo di mandata	High pressure hose	1	8 m
11	2440510	Perno sx	Dx pin	1	
12	391000	OR ø 9,13x2,62	O-Ring	2	
13	2440540	Raccordo	Fitting	1	
14	2360320	Seeger øe 14	Circlip	1	
15	2440480	Staffa sx	Dx bracket	1	
16	820510	OR ø 10,82x1,78	O-Ring	1	
17	2360310	Nipples 1/4"-3/4"G (M)	Threaded adapter	1	
18	2600170	Tubo	Hose	1	
19	2360510	Protezione	Protection	1	
20	2360460	Avvolgitubo	Hose reel	1	

Pos.	Cod. Part n°	Denominazione	Description	Q.tà Q.ty	Note Vedi / See

SIMBOLOGIA - SYMBOLS

⊖ Non compreso nel premontaggio motore
No part of pre-assembly electric motor



UN002425-MA

Pos.	Cod. Part n°	Denominazione	Description	Q.tà Q.ty	Note Vedi / See
1	40356	Testina	Head	1	
2	391000	OR ø 9,13x2,62	O-Ring	2	
3	40344	Rotopower	Rotopower	1	
4	40487	Lancia	Lance	1	
5	40352	Serbatoio detergente	Detergent tank	1	
6	40350	Pistola	Gun	1	
7	2000770	OR ø 10x2	O-Ring	1	☐
8	1080250	OR ø 7,67x1,78	O-Ring	1	☐
9	2620470	Tubo di mandata	High pressure hose	1	☐ 7,6 m
10	40322	Spazz. rotante snodata	Flexible rotating brush	1	● ▲
11	40327	Raccordo	Fitting	1	● ▲
12	40657	Detergente	Detergent	1	
13	1461470	Raccordo	Fitting	1	
14	3212	Innesto raccordo+guarn.	Attachment for tap+gasket	1	3/4" G(F)

Pos.	Cod. Part n°	Denominazione	Description	Q.tà Q.ty	Note Vedi / See

SIMBOLOGIA - SYMBOLS

- Cod. 12366 - HW 130 TSS RLW
- ☐ Cod. 12368 - HW 130 TSS
- ▲ Cod. 12370 - HW 130 TSS RLW

HW 130 Makita for **cod.12366 -12368 (Russia)** **Cod.12370 (UK)**

Part n	Description	Price
2123	Pump head + O-Ring	
2223	Pump assembly + TSS kit	
2250	Outlet fitting + TSS kit	
3212	Attachment for tap+gasket	
4827	Electric motor	
40322	Flexible rotating brush	
40327	Fitting	
40344	Rotopower	
40350	Gun	
40352	Detergent tank	
40356	Head	
40380	Hose reel assembly	
40487	Lance	
40657	Detergent	
44095	Electric motor	
380420	Circlip	
391000	O-Ring	
394280	O-Ring	
550350	O-Ring	
820510	O-Ring	
840020	Seal ring	
850840	O-Ring	
850850	Screw	
880840	O-Ring	
1080250	O-Ring	
1260760	Screw	
1261551	Screw	
1261570	Screw	
1340260	Water suction filter	
1340350	Seal ring	
1343400	Cable	
1461430	Bearing	
1461470	Fitting	
1680035	Motor shield	
1680190	Fan housing	
1680250	Fan	
1680670	Capacitor 30 μ F	
1680680	O-Ring	
1682040	Cable	
1682420	Oil dip stick	
1683000	Wobble plate	
1683500	Seal ring	
2000240	O-Ring	
2000770	O-Ring	
2020030	Bushing	
2020040	Gasket support ring	
2020120	Piston guide	
2020130	Piston	
2020140	Spring plate	
2020150	Spring	
2020850	Washer	
2021480	Gland	
2021570	Bearing	
2021740	O-Ring	
2021960	Clip	
2029721	TSS assembly	
2100300	Screw	
2100300	Screw	
2100630	Suction fitting	
2101000	Screw	
2101450	Inlet fitting plate	
2109051	Complete valve	
2200140	Gasket	
2200210	Screw	
2320280	Switch	

2360150 Hose reel lever
2360230 Hose reel
2360310 Threaded adapter
2360320 Circlip
2360460 Hose reel
2360510 Protection
2440070 Driven gear
2440221 Capacitor box
2440270 Screw
2440480 Dx bracket
2440490 Sx bracket
2440500 Sx pin
2440510 Dx pin
2440530 Handle
2440540 Fitting
2560480 Bushing
2560720 Screw
2600170 Hose
2620470 High pressure hose
2620550 High pressure hose
2860020 Right casing
2860030 Left casing
2860050 Handle
2860060 Bracket
2860070 Green casing